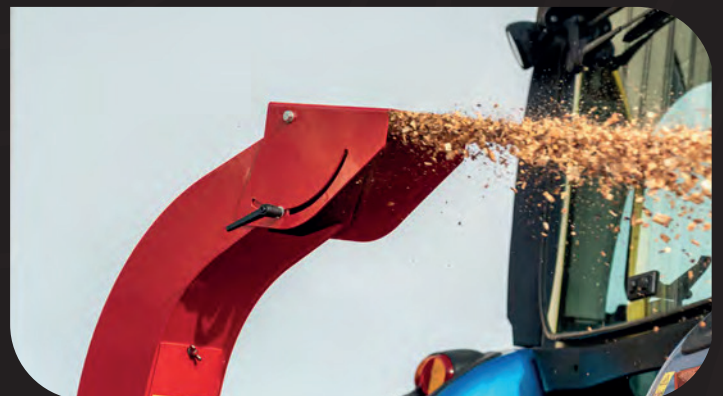


PX180 Pro

Wood chipper



BRUGGER

Mighty!

The Brugger PX180 Pro drum chipper processes logs, branches and shrubs with a diameter of up to 18 cm. Everything can be chipped without any problems.



Features:

- ✓ Maximum log diameter 18 cm
- ✓ Weight 650 Kg
- ✓ PTO drive
- ✓ 360° swivelling chip ejector

Advantages of the PX180 Pro:



NO-STRESS automatic feeding!

The PX180 Pro is also equipped with a no-stress automatic retraction system, which prevents the tractor engine from being overloaded.



Maximum safety!

The PX180 Pro has been built to the latest safety standards.

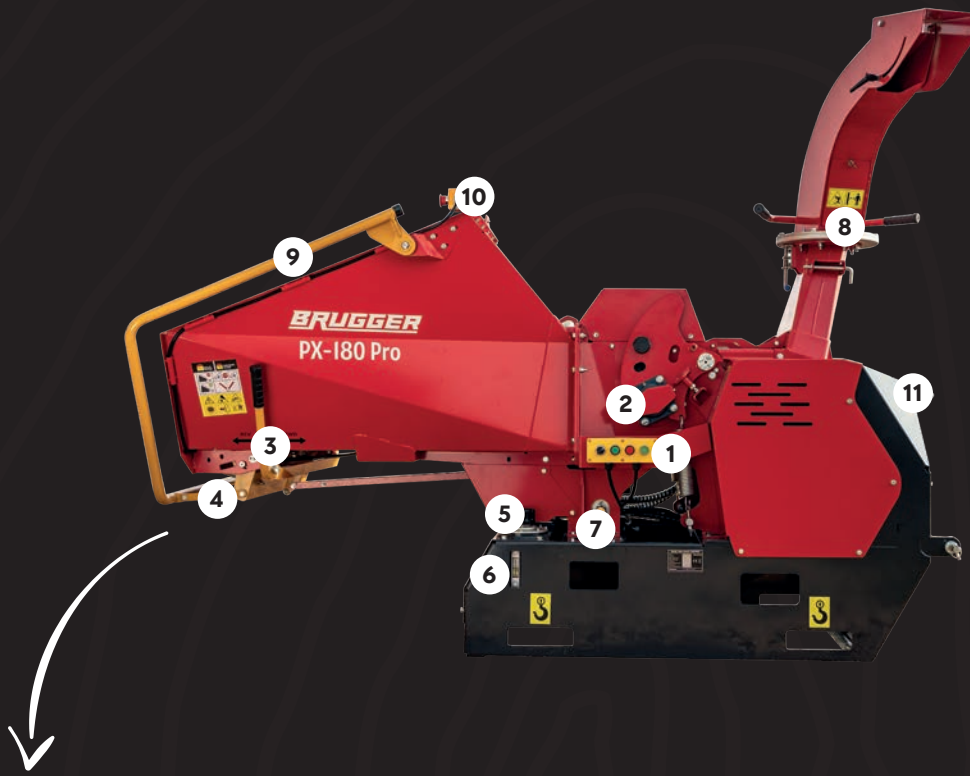


Onboard hydraulic system!

The integrated hydraulic system eliminates the need for a connection to the tractor's hydraulic system, which improves operability and flexibility.

PX180 Pro

Wood chipper



Components:

- | | | | |
|---------------------------------|--|-------------------------------|------------------------------------|
| 1. No-stress feed control panel | 5. hydraulic oil tank | 8. forward speed | 12. three-point suspension CAT 1-2 |
| 2. hydraulic feed roller | 6. hydraulic oil level and temperature indicator | 9. Swivelling chipper ejector | |
| 3. feed - reverse | 7. Continuous adjustment of | 10. safety bar (power stop) | |
| 4. safety bar lock | | 11. Emergency switch | |

Technical data:

Manufacturer:	Bruggger
Model:	PX180 Pro
Power supply:	PTO
Tractor connection:	Cat 1/2
Needed tractor power:	50 - 130 Cv
Maximum log diameter:	180 mm
Feeding:	hydraulic, NO-STRESS system
PTO rotating speed:	540 RPM
Feeding hopper opening:	20 x 35 cm
Number of knives:	2
Dimensions:	240 x 150 x 220 cm
Approximative weight:	650 kg

PX180 Pro

Wood chipper

The **Brugger PX180 Pro drum chipper** is intended for heavy-duty and professional use. Thanks to its high-quality construction and power, even very difficult logs can be processed. No wood material is a problem!

The PX180 Pro chipper has been specially developed **for operating via PTO**, for use in chipping in the agricultural and forestry sectors. The PX180 Pro can be delivered to anyone.

It is possible to connect the chipper to machines equipped with a **CAT1 or CAT2 three-point linkage**. With the ability to process timber of impressive **diameters of up to 18 cm**, this chipper offers an effective solution for shredding branches and wood material.

The chipper is powered by the cardan shaft, which requires connection to a **tractor of at least 50 HP**.

The Brugger PX180 Pro chipper is designed for professional use.

Thanks to its high-quality construction and high drive power, even the most difficult material is not a problem!

It easily processes logs with a **diameter of up to 18 cm**. The chipper is driven via the PTO shaft, which requires a tractor with an engine of **at least 50 hp**.

The machine requires little maintenance and all points such as belts, drum and blades are easy and quick to reach.

The PX 180 is also equipped with an automatic no-stress retraction

You can see a video of the machine in action here:

www.youtube.com/watch?v=2R3-rBu9guQ

For further informations on che machine:

www.bruggermachinery.com.

system, which prevents the motor from stalling in the event of an

overload. For this purpose, if the drum speed that is detected falls too low, the feed stops briefly until the correct speed is reached again.

Built according to the latest safety standards, the chipper represents a reliable and safe for the user.

The feeding of the Brugger PX180 Pro chipper is hydraulic (automatic).

Thanks to its robust construction and high power it handles even the toughest timber effortlessly.

Optimised for PTO drive, this model allows versatile use in agriculture and

forestry.

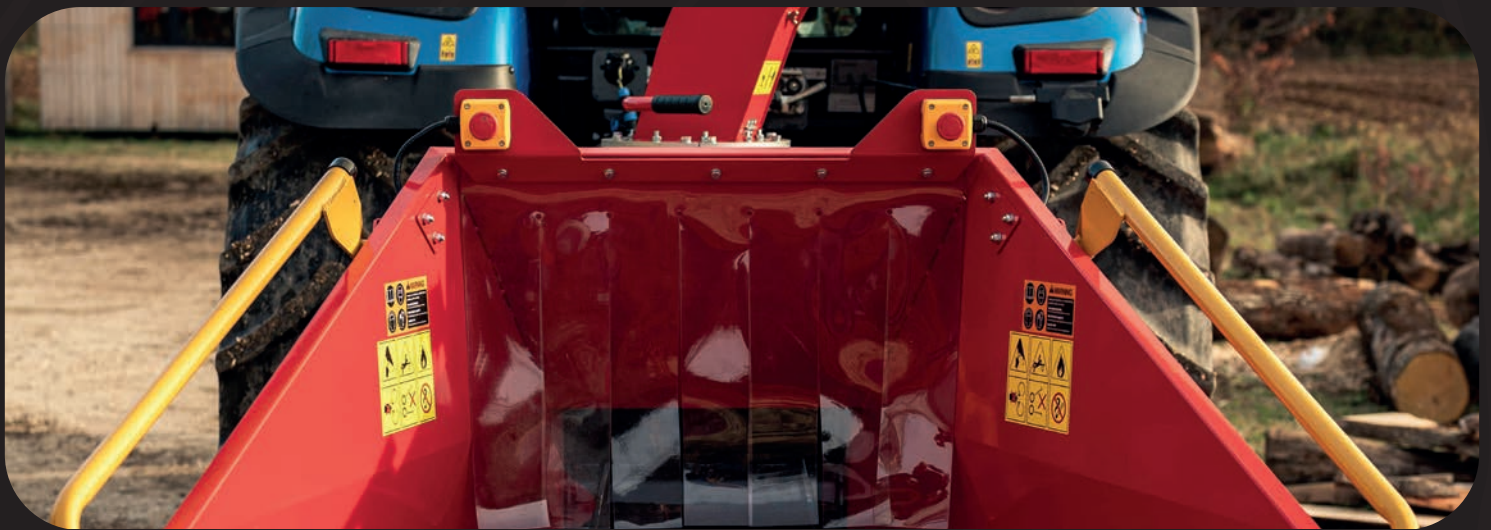
The on-board hydraulic system eliminates the need for a connection to the tractor's hydraulic system, which improves operation and flexibility.

If you are looking for a reliable partner for efficient chipping, the Brugger PX180 Pro is the ideal choice.

Scan the QR CODE and watch the video!







Wood chipper PX180 Pro

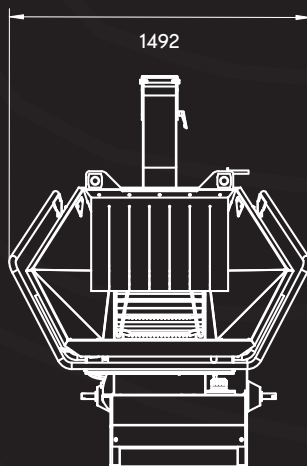
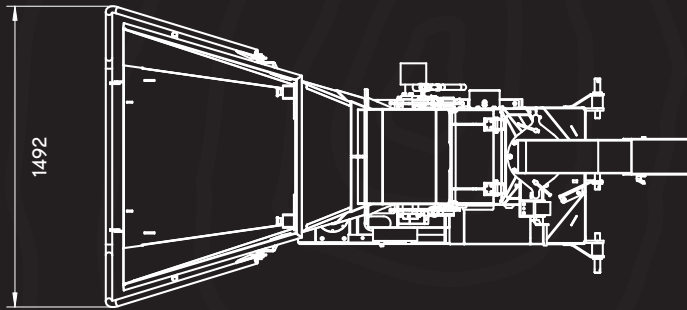
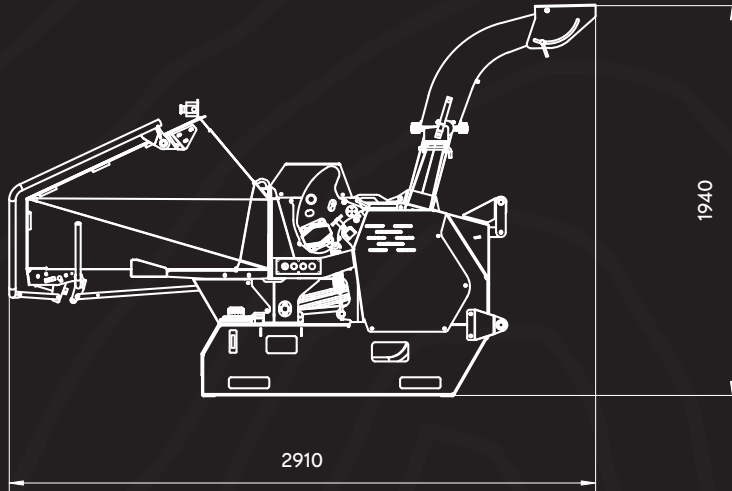
The biggest model in our product family is the PX180 Pro with PTO drive.

€ 9.485,-

All prices are VAT EXCLUDED

Technical dimensions:

We have summarized all the important key figures, dimensions and performance data for you here.



BRUGGER

Machinery GmbH



Contact us for a
customised quote!
**Call us to request an
offer!**

Passion for wood chipper

BRUGGER

Brugger Machinery

Bacherweg 11
39030 Gais BZ Italien

Tele: +39 327 397 0120
Mail: info@bruggermachinery.com
Web: www.bruggermachinery.com

The information in this brochure contains information and content that are protected by law.



Version: 1.0 | EN

www.bruggermachinery.com

